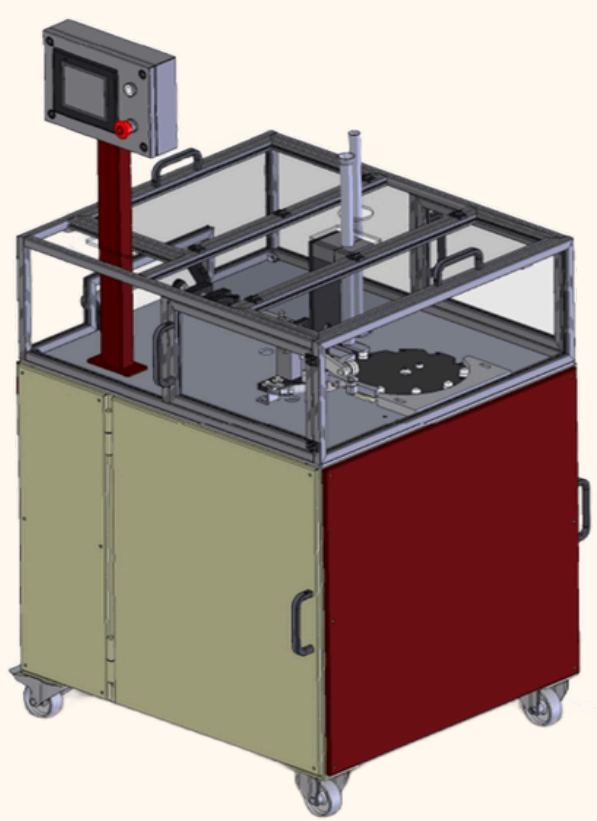




RTO-01

INDUSTRY 4.0

Olive-shaped cork grinding machine



PRODUCTION	5000 corks/h
INFEED	Vibratory
OUTFEED	1
ACCESSORIES	Instruction manuals, CE marking plate, declaration of conformity
CORK TYPE	18 mm a 22 mm de diameter
MACHINE DIMENSIONS	894x866x1510 mm