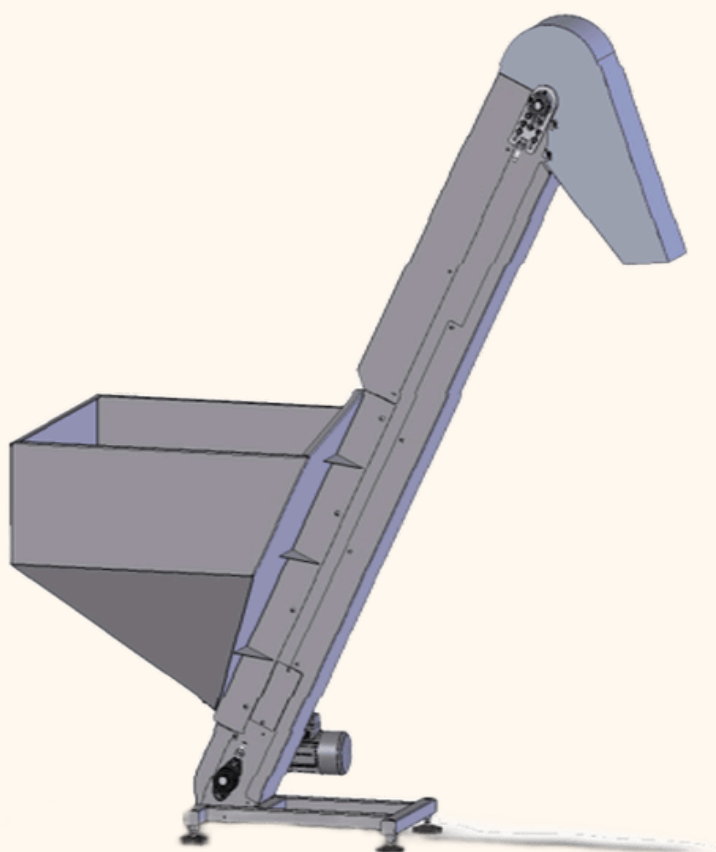




EL-23

Cork elevator



PRODUCTION	10000 - 20000 corks/h
CAPACITY	8000 corks
HEIGHT	2300 mm
DOCUMENTATION	Instruction manuals, CE marking plate, declaration of conformity